



ELECTROGEN

IEC Three Phase Squirrel-Cage Motors Standard Motors up to Frame Size 160

Technical Data

Aluminium housing. Basic version

| IE1 | Rated Output kW | Size | Type | Rated Speed rpm | Nominal Efficiency | Power Factor | Rated Current at 400V A | Rated Torque Nm | Starting Torque | Starting Current |
|--------------------------------|--------------------|-------|------|--------------------|--------------------|--------------|-------------------------------|--------------------|---|------------------|
| | | | | | | | | | For Direct-on-line starting as multiple of the rated | |
| | | | | | | | | | Torque | Current |
| 3000 rpm, 2-poles, 50 Hz, 400V | | | | | | | | | | |
| 0.18 | 63 | 34183 | 2800 | 63.0 | 0.82 | 0.50 | 0.61 | 2.8 | 3.7 | |
| 0.25 | | 34253 | 2770 | 67.6 | 0.75 | 0.72 | 0.86 | 3.1 | 3.5 | |
| 0.37 | 71 | 35373 | 2800 | 70.0 | 0.80 | 1.00 | 1.3 | 3.0 | 5.0 | |
| 0.55 | | 35553 | 2800 | 72.0 | 0.82 | 1.50 | 1.85 | 3.3 | 5.4 | |
| 0.75 | 80 | 37753 | 2830 | 78.3 | 0.80 | 1.70 | 2.5 | 3.1 | 6.0 | |
| 1.1 | | 37113 | 2850 | 77.9 | 0.80 | 2.60 | 3.8 | 3.4 | 5.7 | |
| 1.5 | 90 | 39153 | 2860 | 79.0 | 0.85 | 3.25 | 5.0 | 2.4 | 5.5 | |
| 2.2 | | 39223 | 2880 | 82.0 | 0.85 | 4.55 | 7.3 | 2.8 | 6.3 | |
| 3 | 100L | 42035 | 2830 | 84.0 | 0.82 | 6.50 | 9.9 | 2.8 | 6.8 | |
| 4 | 112M | 45045 | 2860 | 86.0 | 0.82 | 8.40 | 13.0 | 2.6 | 7.2 | |
| 5.5 | 132 | 48555 | 2880 | 86.5 | 0.87 | 10.70 | 18.0 | 2.0 | 5.9 | |
| 7.5 | | 48755 | 2890 | 88.0 | 0.86 | 14.50 | 24.0 | 2.3 | 6.9 | |
| 11 | 160 | 51115 | 2915 | 89.5 | 0.86 | 21.30 | 36.0 | 2.1 | 6.5 | |
| 15 | | 51155 | 2920 | 90.0 | 0.87 | 27.90 | 49.0 | 2.2 | 6.6 | |
| 18.5 | | 51185 | 2940 | 91.0 | 0.87 | 33.90 | 60.0 | 2.4 | 7.0 | |
| 1500 rpm, 4-poles, 50 Hz, 400V | | | | | | | | | | |
| 0.12 | 63 | 41123 | 1350 | 55.0 | 0.75 | 0.42 | 0.85 | 1.9 | 2.8 | |
| 0.18 | | 41183 | 1350 | 60.0 | 0.77 | 0.56 | 1.3 | 1.9 | 3.0 | |
| 0.25 | 71 | 36253 | 1380 | 68.6 | 0.68 | 0.78 | 1.8 | 1.9 | 3.8 | |
| 0.37 | | 36373 | 1390 | 71.8 | 0.7 | 1.25 | 2.6 | 2.5 | 3.5 | |
| 0.55 | 80 | 38553 | 1410 | 74.0 | 0.74 | 1.50 | 3.8 | 2.3 | 4.9 | |
| 0.75 | | 38753 | 1420 | 76.2 | 0.77 | 1.80 | 5.1 | 2.3 | 5.3 | |
| 1.1 | 90 | 40113 | 1410 | 78.0 | 0.77 | 2.60 | 7.4 | 2.3 | 4.9 | |
| 1.5 | | 40153 | 1410 | 80.0 | 0.79 | 3.40 | 10.0 | 2.4 | 5.9 | |
| 2.2 | 100L | 43225 | 1420 | 82.0 | 0.82 | 4.70 | 15.0 | 2.5 | 5.6 | |
| 3 | | 43035 | 1420 | 83.0 | 0.82 | 6.40 | 20.0 | 2.7 | 5.6 | |
| 4 | 112M | 46045 | 1425 | 83.6 | 0.83 | 8.40 | 27.0 | 1.9 | 5.7 | |
| 5.5 | 132 | 49555 | 1430 | 85.7 | 0.83 | 11.40 | 37.0 | 2.0 | 4.9 | |
| 7.5 | | 49755 | 1440 | 86.0 | 0.83 | 15.70 | 50.0 | 2.3 | 5.4 | |
| 11 | 160 | 52115 | 1460 | 88.5 | 0.88 | 20.80 | 72.0 | 2.4 | 6.2 | |
| 15 | | 52155 | 1460 | 89.9 | 0.89 | 27.20 | 98.0 | 2.5 | 6.2 | |

* Flange-mounted (B5) and foot-mounted (B3) are available for all type of motors.

IEC Three Phase Squirrel-Cage Motors Standard Motors up to Frame Size 160

Technical Data

Aluminium housing. Basic version

| IE1 | Rated Output kW | Size | Type | Rated Speed rpm | Nominal Efficiency | Power Factor | Rated Current at 400v A | Rated Torque Nm | Starting Torque | Starting Current |
|--------------------------------|--------------------|-------|------|--------------------|--------------------|--------------|-------------------------------|--------------------|---|------------------|
| | | | | | | | | | For Direct-on-line starting as multiple of the rated | |
| | | | | | | | | | Torque | Current |
| 1000 rpm, 6-poles, 50 Hz, 400V | | | | | | | | | | |
| 0.09 | 63 | 41904 | 850 | 45.0 | 0.66 | 0.44 | 1.0 | 1.8 | 2.0 | |
| 0.18 | 71 | 36184 | 850 | 53.0 | 0.73 | 0.67 | 2.0 | 2.1 | 2.3 | |
| 0.25 | | 36255 | 860 | 60.0 | 0.76 | 0.79 | 2.8 | 2.2 | 2.7 | |
| 0.37 | 80 | 38374 | 920 | 62.0 | 0.72 | 1.20 | 3.8 | 1.9 | 3.1 | |
| 0.55 | | 38554 | 910 | 67.0 | 0.74 | 1.60 | 5.8 | 2.1 | 3.4 | |
| 0.75 | 90 | 40754 | 915 | 69.0 | 0.76 | 2.05 | 7.8 | 2.2 | 3.7 | |
| 1.1 | | 40115 | 915 | 72.0 | 0.77 | 2.85 | 11.0 | 2.3 | 3.8 | |
| 1.5 | 100L | 44155 | 925 | 74.0 | 0.75 | 3.90 | 15.0 | 2.3 | 4.0 | |
| 2.2 | 112M | 47225 | 940 | 78.0 | 0.78 | 5.20 | 22.0 | 2.2 | 4.6 | |
| 3 | 132 | 50035 | 950 | 79.0 | 0.76 | 7.20 | 30.0 | 1.9 | 4.2 | |
| 4 | | 50045 | 950 | 80.5 | 0.76 | 9.40 | 40.0 | 2.1 | 4.5 | |
| 5.5 | | 50555 | 950 | 83.0 | 0.76 | 12.60 | 55.0 | 2.3 | 5.0 | |
| 7.5 | 160 | 53755 | 960 | 86.0 | 0.74 | 17.00 | 75.0 | 2.1 | 4.6 | |
| 11 | | 53115 | 960 | 87.5 | 0.74 | 24.50 | 109.0 | 2.3 | 4.8 | |
| 750 rpm, 8-poles, 50 Hz, 400V | | | | | | | | | | |
| 0.09 | 71 | 36905 | 630 | 53.0 | 0.68 | 0.36 | 1.4 | 1.9 | 2.2 | |
| 0.12 | | 36125 | 645 | 53.0 | 0.64 | 0.51 | 1.8 | 2.2 | 2.2 | |
| 0.18 | 80 | 38185 | 675 | 51.0 | 0.68 | 0.75 | 2.5 | 1.7 | 2.3 | |
| 0.25 | | 38255 | 685 | 55.0 | 0.64 | 1.02 | 3.5 | 2.0 | 2.6 | |
| 0.37 | 90 | 40375 | 675 | 63.0 | 0.75 | 1.14 | 5.2 | 1.6 | 2.9 | |
| 0.55 | | 40555 | 675 | 66.0 | 0.76 | 1.58 | 7.8 | 1.7 | 3.0 | |
| 0.75 | 100L | 44755 | 680 | 66.0 | 0.76 | 2.15 | 11.0 | 1.6 | 3.0 | |
| 1.1 | | 44115 | 680 | 72.0 | 0.76 | 2.90 | 15.0 | 1.8 | 3.3 | |
| 1.5 | 112M | 47155 | 705 | 74.0 | 0.76 | 3.85 | 20.0 | 1.8 | 3.7 | |
| 2.2 | 132 | 50227 | 700 | 75.0 | 0.74 | 5.70 | 30.0 | 1.9 | 3.9 | |
| 3 | | 50037 | 700 | 77.0 | 0.74 | 7.60 | 41.0 | 2.1 | 4.1 | |
| 4 | 160 | 53045 | 715 | 80.0 | 0.72 | 10.00 | 53.0 | 2.2 | 4.5 | |
| 5.5 | | 53555 | 710 | 83.5 | 0.73 | 13.00 | 74.0 | 2.3 | 4.7 | |
| 7.5 | | 53755 | 715 | 85.5 | 0.72 | 17.60 | 100.0 | 2.7 | 5.3 | |

* Flange-mounted (B5) and foot-mounted (B3) are available for all type of motors.



ELECTROGEN

IEC Three Phase Squirrel-Cage Motors Standard Motors up to Frame Size 160

Technical Data

Aluminium housing. Basic version

| IE2 | Rated Output kW | Size | Type | Rated Speed rpm | Nominal Efficiency | Power Factor | Rated Current at 400V A | Rated Torque Nm | Starting Torque | Starting Current |
|--------------------------------|--------------------|-------|------|--------------------|--------------------|--------------|-------------------------------|--------------------|---|------------------|
| | | | | | | | | | For Direct-on-line starting as multiple of the rated | |
| | | | | | | | | | Torque | Current |
| 3000 rpm, 2-poles, 50 Hz, 400V | | | | | | | | | | |
| 0.18 | 63 | 34184 | 2840 | 70.0 | 0.78 | 0.48 | 0.61 | 2.5 | 4.8 | |
| 0.25 | | 34254 | 2830 | 70.0 | 0.82 | 0.63 | 0.84 | 2.3 | 4.9 | |
| 0.37 | 71 | 35374 | 2840 | 74.0 | 0.77 | 0.94 | 1.2 | 3.1 | 6.5 | |
| 0.55 | | 35554 | 2835 | 75.0 | 0.75 | 1.42 | 1.9 | 3.0 | 6.3 | |
| 0.75 | 80 | 37754 | 2870 | 80.0 | 0.84 | 1.65 | 2.5 | 3.5 | 8.3 | |
| 1.1 | | 37114 | 2860 | 84.0 | 0.89 | 2.15 | 3.7 | 3.2 | 7.0 | |
| 1.5 | 90 | 39154 | 2890 | 85.0 | 0.87 | 2.95 | 5.0 | 3.5 | 7.0 | |
| 2.2 | | 39224 | 2890 | 86.5 | 0.87 | 4.25 | 7.3 | 3.5 | 7.0 | |
| 3 | 100L | 42034 | 2890 | 87.0 | 0.88 | 5.70 | 9.9 | 3.1 | 7.0 | |
| 4 | 112M | 45044 | 2905 | 88.5 | 0.89 | 7.40 | 13.0 | 2.6 | 7.0 | |
| 5.5 | 132 | 48554 | 2930 | 89.5 | 0.90 | 9.90 | 18.0 | 2.4 | 7.0 | |
| 7.5 | | 48754 | 2930 | 90.5 | 0.92 | 13.00 | 24.0 | 2.5 | 7.0 | |
| 11 | 160 | 51114 | 2945 | 91.0 | 0.90 | 19.40 | 36.0 | 2.3 | 7.0 | |
| 15 | | 51154 | 2945 | 91.5 | 0.90 | 26.30 | 49.0 | 2.3 | 7.0 | |
| 18.5 | | 51184 | 2940 | 92.3 | 0.92 | 31.50 | 60.0 | 2.3 | 7.0 | |
| 1500 rpm, 4-poles, 50 Hz, 400V | | | | | | | | | | |
| 0.12 | 63 | 41124 | 1395 | 66.0 | 0.65 | 0.41 | 0.82 | 2.6 | 3.5 | |
| 0.18 | | 41184 | 1340 | 62.0 | 0.68 | 0.62 | 1.3 | 2.9 | 3.2 | |
| 0.25 | 71 | 36254 | 1410 | 70.0 | 0.64 | 0.81 | 1.7 | 3.2 | 4.3 | |
| 0.37 | | 36374 | 1385 | 71.0 | 0.73 | 1.03 | 2.6 | 2.8 | 4.2 | |
| 0.55 | 80 | 38554 | 1410 | 77.0 | 0.78 | 1.32 | 3.7 | 2.8 | 5.6 | |
| 0.75 | | 38754 | 1400 | 81.0 | 0.75 | 1.80 | 5.1 | 3.6 | 5.8 | |
| 1.1 | 90 | 40114 | 1440 | 84.0 | 0.77 | 2.45 | 7.3 | 2.7 | 6.4 | |
| 1.5 | | 40154 | 1440 | 85.0 | 0.77 | 3.30 | 9.9 | 3.1 | 6.7 | |
| 2.2 | 100L | 43224 | 1435 | 86.5 | 0.82 | 4.55 | 15.0 | 3.1 | 7.0 | |
| 3 | | 43034 | 1435 | 87.5 | 0.81 | 6.10 | 20.0 | 3.5 | 7.0 | |
| 4 | 112M | 46044 | 1440 | 88.5 | 0.81 | 8.10 | 27.0 | 2.8 | 6.9 | |
| 5.5 | 132 | 49554 | 1455 | 89.5 | 0.84 | 10.60 | 36.0 | 2.9 | 7.0 | |
| 7.5 | | 49754 | 1455 | 90.3 | 0.84 | 14.30 | 49.0 | 3.0 | 7.0 | |
| 11 | 160 | 52114 | 1460 | 91.5 | 0.85 | 20.50 | 72.0 | 2.7 | 6.9 | |
| 15 | | 52154 | 1460 | 92.0 | 0.86 | 27.50 | 98.0 | 2.9 | 7.0 | |

* Flange-mounted (B5) and foot-mounted (B3) are available for all type of motors.

IEC Three Phase Squirrel-Cage Motors Standard Motors up to Frame Size 160

Technical Data

Aluminium housing. Basic version

| IE2 | Rated Output kW | Size | Type | Rated Speed rpm | Nominal Efficiency | Power Factor | Rated Current at 400v A | Rated Torque Nm | Starting Torque | Starting Current |
|--------------------------------|--------------------|------|-------|--------------------|--------------------|--------------|-------------------------------|--------------------|---|------------------|
| | | | | | | | | | For Direct-on-line starting as multiple of the rated | |
| | | | | | | | | | Torque | Current |
| 1000 rpm, 6-poles, 50 Hz, 400V | | | | | | | | | | |
| 0.75 | 1.1 | 90 | 40755 | 925 | 75.5 | 0.72 | 2.00 | 7.7 | 2.5 | 4.4 |
| 1.1 | | | 40116 | 940 | 82.0 | 0.70 | 2.80 | 11.0 | 3.2 | 5.7 |
| 1.5 | 2.2 | 100L | 44154 | 950 | 85.0 | 0.70 | 3.65 | 15.0 | 3.4 | 6.2 |
| 2.2 | | | 47224 | 955 | 84.0 | 0.70 | 5.40 | 22.0 | 2.7 | 6.2 |
| 3 | 4 | 132 | 50034 | 950 | 79.0 | 0.76 | 7.20 | 30.0 | 1.9 | 4.2 |
| 4 | | | 50044 | 950 | 84.0 | 0.81 | 8.50 | 40.0 | 2.5 | 6.3 |
| 5.5 | | | 50554 | 960 | 86.0 | 0.77 | 12.00 | 55.0 | 3.3 | 7.3 |
| 7.5 | 11 | 160 | 53754 | 965 | 88.0 | 0.72 | 17.10 | 74.0 | 2.2 | 5.5 |
| 11 | | | 53114 | 960 | 88.5 | 0.78 | 23.00 | 109.0 | 2.9 | 6.9 |

* Flange-mounted (B5) and foot-mounted (B3) are available for all type of motors.

The background features a large-scale industrial refinery or chemical plant. Several tall, cylindrical distillation columns are visible, equipped with ladders and platforms. The sky is a clear blue with some light clouds. A large, semi-transparent circular graphic with concentric yellow and white rings is overlaid on the left side of the image, framing the central text.

ELECTROGEN
SPINNING
YOUR
WORLD

Three Phase Motors (Cast Iron Frame)

موتورهای سه فاز فریم چدن

IEC Three Phase Squirrel-Cage Motors Standard Motors Frame Sizes 160 to 225

Technical Data

Cast iron housing. Basic version

| IE1 | Rated Output kW | Size | Type | Rated Speed rpm | Nominal Efficiency | Power Factor | Rated Current at 400v A | Rated Torque Nm | Starting Torque | Starting Current |
|--------------------------------|--------------------|-------|------|--------------------|--------------------|--------------|-------------------------------|--------------------|---|------------------|
| | | | | | | | | | For Direct-on-line starting as multiple of the rated | |
| | | | | | | | | | Torque | Current |
| 3000 rpm, 2-poles, 50 Hz, 400V | | | | | | | | | | |
| 11 | 160 | 51117 | 2940 | 89.5 | 0.88 | 20.00 | 36.0 | 2.1 | 6.5 | |
| 15 | | 51157 | 2940 | 90.0 | 0.90 | 26.50 | 49.0 | 2.2 | 6.6 | |
| 18.5 | | 51187 | 2940 | 91.0 | 0.91 | 32.00 | 60.0 | 2.4 | 7.0 | |
| 22 | 180 | 56225 | 2945 | 91.6 | 0.86 | 40.50 | 71.0 | 2.5 | 6.4 | |
| 30 | 200 | 59305 | 2950 | 91.8 | 0.88 | 54.00 | 97.0 | 2.3 | 6.5 | |
| 37 | | 59375 | 2955 | 92.9 | 0.89 | 65.00 | 120.0 | 2.5 | 7.2 | |
| 45 | | 62455 | 2960 | 93.6 | 0.88 | 79.00 | 145.0 | 2.4 | 6.7 | |
| 1500 rpm, 4-poles, 50 Hz, 400V | | | | | | | | | | |
| 11 | 160 | 52117 | 1460 | 88.5 | 0.84 | 21.50 | 72.0 | 2.2 | 6.2 | |
| 15 | | 52157 | 1460 | 90.0 | 0.84 | 28.50 | 98.0 | 2.6 | 6.5 | |
| 18.5 | 180 | 57185 | 1465 | 90.4 | 0.84 | 35.00 | 120.0 | 2.4 | 6.7 | |
| 22 | | 57225 | 1465 | 91.0 | 0.84 | 41.50 | 143.0 | 2.5 | 6.9 | |
| 30 | 200 | 60305 | 1465 | 91.6 | 0.85 | 56.00 | 195.0 | 2.5 | 6.7 | |
| 37 | 225 | 63375 | 1475 | 92.2 | 0.85 | 68.00 | 239.0 | 2.5 | 6.7 | |
| 45 | | 63455 | 1475 | 93.1 | 0.86 | 81.00 | 290.0 | 2.7 | 7.2 | |
| 1000 rpm, 6-poles, 50 Hz, 400V | | | | | | | | | | |
| 7.5 | 160 | 53757 | 960 | 86.0 | 0.74 | 17.00 | 75.0 | 2.1 | 4.6 | |
| 11 | | 53117 | 960 | 87.5 | 0.74 | 24.50 | 109.0 | 2.3 | 4.8 | |
| 15 | 180 | 58155 | 965 | 88.9 | 0.83 | 29.50 | 148.0 | 2.3 | 5.3 | |
| 18.5 | 200 | 61185 | 975 | 89.8 | 0.81 | 36.50 | 181.0 | 2.5 | 5.6 | |
| 22 | | 61225 | 975 | 90.3 | 0.81 | 43.50 | 215.0 | 2.6 | 5.7 | |
| 30 | 225 | 64305 | 978 | 91.8 | 0.83 | 57.00 | 293.0 | 2.7 | 5.6 | |
| 750 rpm, 8-poles, 50 Hz, 400V | | | | | | | | | | |
| 4 | 160 | 53047 | 715 | 80.0 | 0.72 | 10.00 | 53.0 | 2.2 | 4.5 | |
| 5.5 | | 53557 | 715 | 83.5 | 0.73 | 13.00 | 74.0 | 2.3 | 4.7 | |
| 7.5 | | 53758 | 715 | 85.5 | 0.72 | 17.60 | 100.0 | 2.7 | 5.3 | |
| 11 | 180 | 58115 | 725 | 87.5 | 0.73 | 25.00 | 145.0 | 1.7 | 4.2 | |
| 15 | 200 | 61155 | 725 | 87.7 | 0.76 | 32.50 | 198.0 | 2.2 | 4.9 | |
| 18.5 | 225 | 64185 | 730 | 89.4 | 0.78 | 38.50 | 242.0 | 2.3 | 5.5 | |
| 22 | | 64225 | 730 | 89.7 | 0.79 | 45.00 | 288.0 | 2.3 | 5.6 | |



ELECTROGEN

IEC Three Phase Squirrel-Cage Motors Standard Motors Frame Sizes 160 to 225

Technical Data

Cast iron housing. Basic version

| IE2 | Rated Output kW | Size | Type | Rated Speed rpm | Nominal Efficiency | Power Factor | Rated Current at 400V A | Rated Torque Nm | Starting Torque | Starting Current |
|--------------------------------|--------------------|-------|------|--------------------|--------------------|--------------|-------------------------------|--------------------|---|------------------|
| | | | | | | | | | For Direct-on-line starting as multiple of the rated | |
| | | | | | | | | | Torque | Current |
| 3000 rpm, 2-poles, 50 Hz, 400V | | | | | | | | | | |
| 11 | 160 | 51116 | 2945 | 91.0 | 0.90 | 19.40 | 36.0 | 2.3 | 7.0 | |
| 15 | | 51156 | 2945 | 91.5 | 0.90 | 26.30 | 49.0 | 2.3 | 7.0 | |
| 18.5 | | 51186 | 2940 | 92.3 | 0.92 | 31.50 | 60.0 | 2.3 | 7.0 | |
| 22 | 180 | 56224 | 2955 | 94.1 | 0.88 | 38.50 | 71.0 | 2.5 | 7.2 | |
| 30 | 200 | 59304 | 2960 | 93.5 | 0.88 | 53.00 | 97.0 | 2.4 | 7.0 | |
| 37 | | 59374 | 2960 | 94.1 | 0.89 | 64.00 | 119.0 | 2.5 | 7.2 | |
| 45 | | 62454 | 2965 | 94.9 | 0.89 | 77.00 | 145.0 | 2.5 | 7.3 | |
| 1500 rpm, 4-poles, 50 Hz, 400V | | | | | | | | | | |
| 11 | 160 | 52116 | 1460 | 91.5 | 0.85 | 20.50 | 72.0 | 2.7 | 6.9 | |
| 15 | | 52156 | 1460 | 92.0 | 0.86 | 27.50 | 98.0 | 2.9 | 7.0 | |
| 18.5 | 180 | 57184 | 1470 | 92.6 | 0.83 | 34.50 | 120.0 | 2.5 | 6.4 | |
| 22 | | 57224 | 1470 | 93.2 | 0.84 | 40.50 | 143.0 | 2.5 | 6.7 | |
| 30 | 200 | 60304 | 1470 | 93.4 | 0.85 | 55.00 | 195.0 | 2.6 | 6.7 | |
| 37 | 225 | 63374 | 1480 | 94.4 | 0.85 | 67.00 | 239.0 | 2.7 | 6.8 | |
| 45 | | 63454 | 1480 | 94.7 | 0.85 | 81.00 | 290.0 | 2.8 | 6.9 | |
| 1000 rpm, 6-poles, 50 Hz, 400V | | | | | | | | | | |
| 7.5 | 160 | 53756 | 965 | 88.0 | 0.72 | 17.10 | 74.0 | 2.2 | 5.5 | |
| 11 | | 53116 | 960 | 88.5 | 0.78 | 23.00 | 109.0 | 2.9 | 6.9 | |
| 15 | 180 | 58154 | 975 | 90.9 | 0.81 | 29.50 | 147.0 | 2.4 | 5.5 | |
| 18.5 | 200 | 61184 | 978 | 91.2 | 0.81 | 36.00 | 181.0 | 2.4 | 5.6 | |
| 22 | | 61224 | 978 | 91.9 | 0.82 | 42.00 | 215.0 | 2.4 | 5.6 | |
| 30 | 225 | 64304 | 980 | 93.2 | 0.83 | 56.00 | 292.0 | 2.8 | 6.5 | |
| 750 rpm, 8-poles, 50 Hz, 400V | | | | | | | | | | |
| 11 | 180 | 58114 | 725 | 88.7 | 0.76 | 23.50 | 145.0 | 1.9 | 4.6 | |
| 15 | 200 | 61154 | 725 | 89.3 | 0.80 | 30.50 | 198.0 | 2.3 | 5.3 | |
| 18.5 | 225 | 64184 | 730 | 91.1 | 0.81 | 36.00 | 242.0 | 2.3 | 5.6 | |
| 22 | | 64224 | 730 | 91.6 | 0.81 | 43.00 | 288.0 | 2.4 | 5.8 | |



ELECTROGEN
SPINNING
YOUR
WORLD

General Specification (End Shield)

اطلاعات ابعادی در پوش موتورهای سه فاز



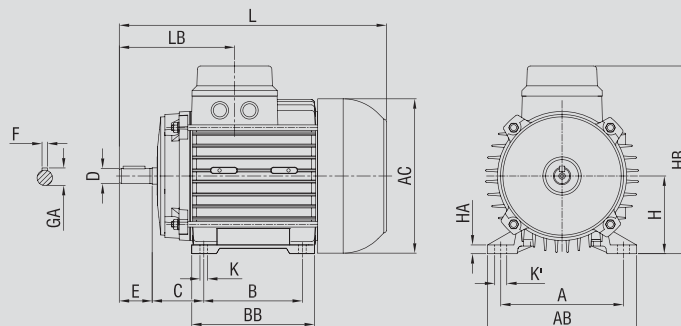
ELECTROGEN

IEC Three Phase Squirrel-Cage Motors Foot-Mounted Motor, IMB3

Dimensions



| Frame Size | Housing | | No. of Poles | Dimension drawing according to IEC | | | | | | | | | | | | | | | | | |
|------------|----------------|-----------|--------------|------------------------------------|-------|-----|-----|------|-----|-----|----|------|------|-------|-------|-------|-------|-------|------|-----|-----|
| | Cast Aluminium | Cast Iron | | H | B | A | C | K | K' | D | E | F | GA | HA | BB | AB | AC | HB | LB | L | |
| 63 | Yes | No | 2-8 | 63 | 80 | 100 | 40 | M6 | 12 | 11 | 23 | 4 | 12.5 | 7 | 101 | 120 | 124 | 155 | 91.5 | 208 | |
| 71 | | | | 90 | 112 | 47 | 11 | | 14 | 30 | 5 | 16 | 8 | 112 | 136 | 141 | 171.5 | 105 | 244 | | |
| 80 | | | | 100 | 124.5 | 50 | M8 | 15.5 | 19 | 40 | 6 | 21.5 | 12 | 125 | 150 | 159 | 193 | 118 | 273 | | |
| 90S | | | | | | | | 18 | 24 | 50 | 8 | 26.9 | 13 | 123 | 171 | 176 | 210 | 133 | 306 | | |
| 90L | | | | 125 | 148 | 331 | | | | | | | | | | | | | | | |
| 100 | | | | 140 | 160 | 63 | M10 | 21 | 28 | 60 | 8 | 30.9 | 12.5 | 174.5 | 194 | 194.5 | 235 | 152.5 | 403 | | |
| 112 | | | | | | | | | | | | 14 | 183 | 226.5 | 219.5 | 259 | 161 | 416 | | | |
| 132 | | | | Yes | Yes | 160 | 254 | 254 | 108 | M12 | 23 | 42 | 12 | 45.1 | 23 | 302 | 318 | 156.5 | 393 | 264 | 615 |
| 180 | | | | | | | | | | | | | | | | | | | | | |
| 200 | | | | No | Yes | 200 | 305 | 318 | 133 | M16 | 26 | 55 | 16 | 58.8 | 27 | 352 | 377 | 395 | 495 | 307 | 723 |
| 225 | 27 | 60 | 140 | | | | | | | | | | | | | | | | | | |

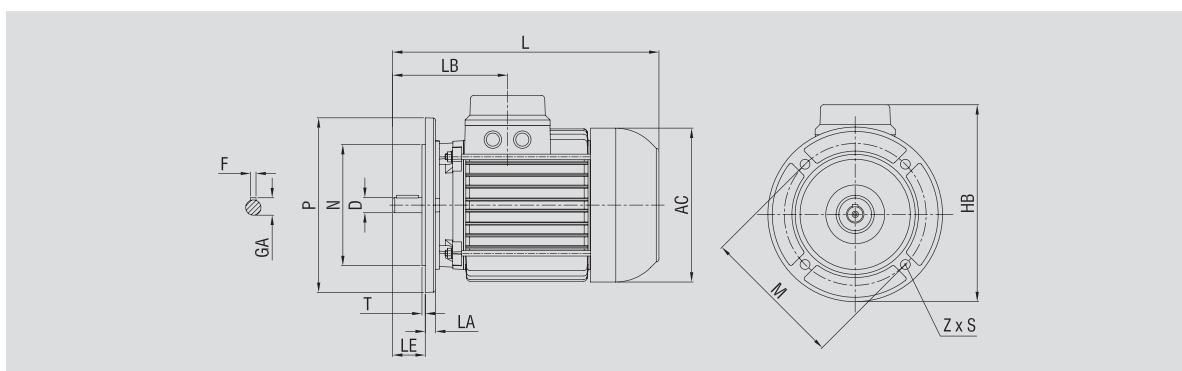


IEC Three Phase Squirrel-Cage Motors Flange-Mounted Motor, IMB5

Dimensions



| Frame Size | Housing | | No. of Poles | Dimension drawing according to IEC | | | | | | | | | | | | | | | | |
|------------|----------------|-----------|--------------|------------------------------------|-----|-----|------|-----|-----|----|------|------|-------|-------|-----|-------|------|-----|-----|-----|
| | Cast Aluminium | Cast Iron | | P | N | M | LA | T | D | LE | F | GA | AC | HB | Z | S | LB | L | | |
| 63 | Yes | No | 2-8 | 140 | 95 | 115 | 10 | 3 | 11 | 23 | 4 | 12.6 | 124 | 160 | 4 | M8 | 91.5 | 208 | | |
| 71 | | | | 160 | 110 | 130 | 9 | 3.5 | 14 | 30 | 5 | 16 | 141 | 180.5 | | | 105 | 244 | | |
| 80 | | | | 200 | 130 | 165 | 11 | | 19 | 40 | 6 | 21.5 | 159 | 213 | | 118 | 273 | | | |
| 90S | | | | 200 | | | | 24 | 50 | 8 | 26.9 | 176 | 220 | 133 | | 306 | | | | |
| 90L | | | | 250 | 180 | 215 | 12.5 | 4 | 28 | | 60 | 30.9 | 194.5 | 257 | | 152.5 | 403 | | | |
| 100 | | | | 250 | | | | | | 15 | | | 219.5 | 272 | | 161 | 416 | | | |
| 112 | | | | 300 | 230 | 265 | 17 | 38 | 80 | 10 | 41.3 | 259 | 346 | 215 | | 532 | | | | |
| 160 | | | | Yes | Yes | 5 | 350 | 250 | 300 | 19 | 42 | 110 | 12 | 45.1 | | 313 | 404 | M16 | 264 | 615 |
| 180 | | | | No | Yes | | 350 | 13 | 48 | 14 | 51.5 | | 355 | 434 | | 339 | 664 | | | |
| 200 | | | | | | | 400 | 300 | 350 | 15 | 55 | 16 | 58.8 | 395 | | 521 | 307 | | 723 | |
| 225 | 450 | 350 | 400 | | | | 16 | 60 | 140 | 18 | 63.8 | 438 | 546 | 407 | 832 | | | | | |





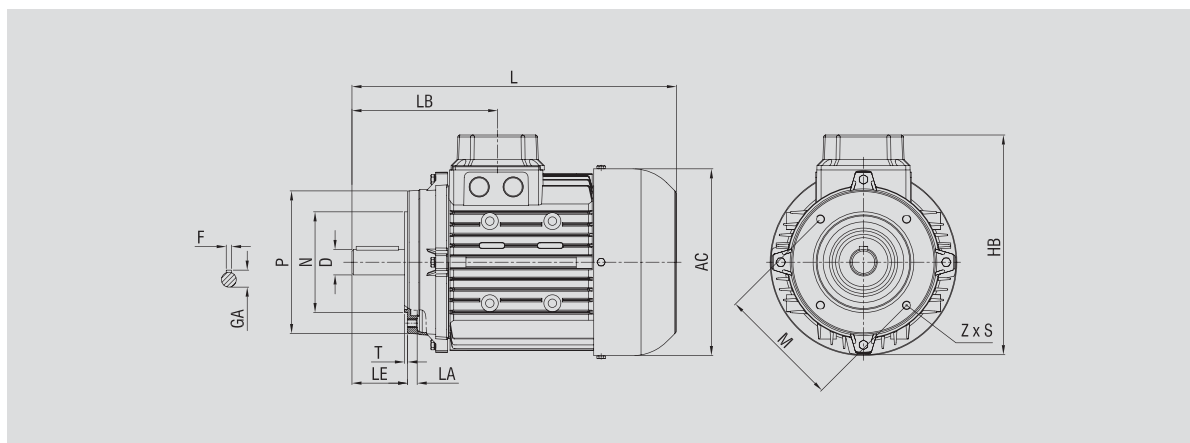
ELECTROGEN

IEC Three Phase Squirrel-Cage Motors Flange-Mounted Motor, IMB14

Dimensions



| Frame Size | Housing | | No. of Poles | Dimension drawing according to IEC | | | | | | | | | | | | | | | | |
|------------|----------------|-----------|--------------|------------------------------------|-----|-----|------|-----|-----|-----|-----|-----|-----|------|---|-----|-----|-------|------|----|
| | Cast Aluminium | Cast Iron | | P | N | M | LA | T | D | LE | AC | HB | L | LB | Z | S | F | GA | | |
| 63 | Yes | No | 2-8 | 90 | 60 | 75 | 8 | 2.5 | 11 | 23 | 124 | 153 | 208 | 91.5 | 4 | M4 | 4 | 12.6 | | |
| 71 | | | | 106 | 70 | 85 | 9.5 | | 3 | 14 | 30 | 141 | 171 | 244 | | | 105 | M6 | 5 | 16 |
| 80 | | | | 119 | 80 | 100 | 9 | | | 19 | 40 | 159 | 195 | 273 | | 118 | 6 | | 21.5 | |
| 90S | | | | 135 | 95 | 115 | | 3.5 | 24 | 50 | 176 | 210 | 306 | 133 | | M8 | 8 | 26.9 | | |
| 90L | | | | 160 | 110 | 130 | 17 | | 28 | 60 | 194 | 233 | 403 | | | | | 152.5 | 30.9 | |
| 100 | | | | | | | 16.5 | 218 | 257 | 416 | 161 | | | | | | | | | |
| 112 | | | | | | | | | | | | | | | | | | | | |

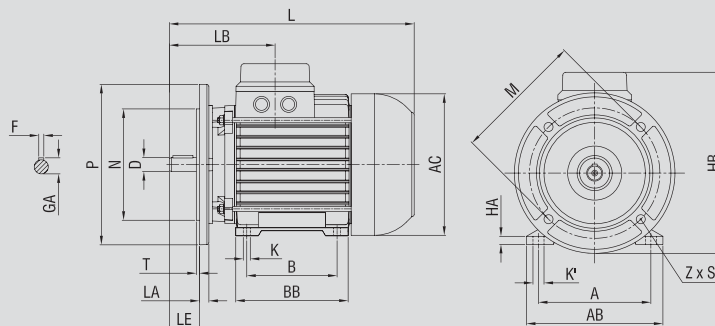


IEC Three Phase Squirrel-Cage Motors Foot and Flange-Mounted Motor,IMB35

Dimensions



| Frame Size | Housing | | No. of Poles | Dimension drawing according to IEC | | | | | | | | | | | | | | | | | | | | | | | | | | |
|------------|----------------|-----------|--------------|------------------------------------|-----|-----|-----|-----|------|-----|------|------|-----|-------|---|----|------|------|------|-------|----|---------|---------|-----|---------|-----|-----|-----|------|-----|
| | Cast Aluminium | Cast Iron | | P | N | M | LA | T | D | LE | F | GA | AC | HB | Z | S | LB | L | B | A | K | K' | HA | BB | AB | | | | | |
| 63 | Yes | No | 2-8 | 140 | 95 | 115 | 10 | 3 | 11 | 23 | 4 | 12.6 | 124 | 160 | 4 | M8 | 91.5 | 208 | 80 | 100 | M6 | 12 | 7 | 101 | 120 | | | | | |
| 71 | | | | 160 | 110 | 130 | 9 | 3.5 | 14 | 30 | 5 | 16 | 141 | 180.5 | | | 105 | 244 | 90 | 112 | | 11 | 8 | 112 | 136 | | | | | |
| 80 | | | | 200 | 130 | 165 | 11 | | 19 | 40 | 6 | 21.5 | 159 | 213 | | | 118 | 273 | 100 | 124.5 | | 15.5 | 12 | 125 | 150 | | | | | |
| 90S | | | | 200 | | 24 | 50 | 8 | 26.9 | 176 | 220 | 133 | 306 | 140 | | | M8 | 18 | | 13 | | 123 | 171 | | | | | | | |
| 90L | | | | Yes | Yes | 2-8 | 250 | | 180 | 215 | 12.5 | 4 | 28 | | | | | 60 | 30.9 | 194.5 | | 257 | 152.5 | 403 | 140 | 160 | M10 | 21 | 12.5 | 175 |
| 100 | | | | | | | 250 | 15 | | 38 | 80 | | 10 | 41.3 | | | 259 | 346 | | 215 | | 532 | 178-210 | 216 | 16 | 248 | | | 260 | |
| 112 | | | | | | | No | Yes | 5 | 350 | 250 | 300 | 13 | 48 | | | 110 | 14 | 51.5 | 355 | | 434 | 339 | 664 | 239-277 | 279 | 19 | 19 | 325 | 344 |
| 132 | | | | | | | | | | 400 | 300 | 350 | 15 | 55 | | | 16 | 58.8 | 395 | 521 | | 307 | 723 | 305 | 318 | 26 | 27 | 352 | 377 | |
| 160 | | | | No | Yes | 5 | 450 | 350 | 400 | 16 | 60 | 140 | 18 | 63.8 | | | 438 | 546 | 407 | 832 | | 286-311 | 357 | 27 | 34 | 357 | 437 | | | |
| 180 | | | | | | | M16 | 23 | 23 | 302 | 318 | | | | | | | | | | | | | | | | | | | |
| 200 | M16 | 26 | 27 | | | | | | | | | 352 | 377 | | | | | | | | | | | | | | | | | |
| 225 | | | | M16 | 27 | 34 | 357 | 437 | | | | | | | | | | | | | | | | | | | | | | |



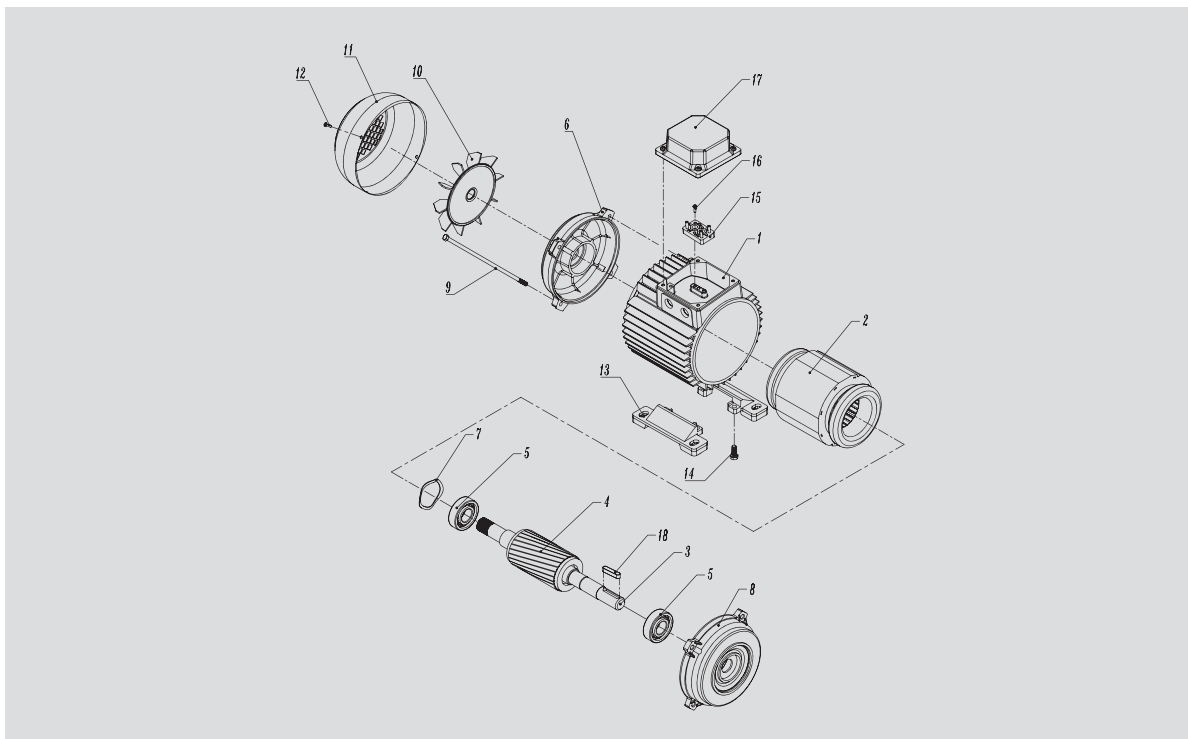


ELECTROGEN

IEC Three Phase Squirrel-Cage Motors Standard Motors up to Frame Size 225

Spare Parts

| Part No. | Designation | Part No. | Designation |
|----------|-----------------------|----------|--------------------------|
| 1 | Frame | 10 | Fan |
| 2 | Stator | 11 | Fan Cover |
| 3 | Shaft | 12 | Screw for Fan Cover |
| 4 | Rotor | 13 | Frame Feet (1 Pair) |
| 5 | Bearing , N-end | 14 | Screw for Frame Feet |
| 5 | Bearing , D-end | 15 | Terminal board |
| 6 | Endshield , N-end | 16 | Screw for Terminal board |
| 7 | Wave Spring , N-end | 17 | Terminal box Cover |
| 8 | Endshield , D-end | 18 | Key , D-end |
| 9 | Screws for Endshields | | |





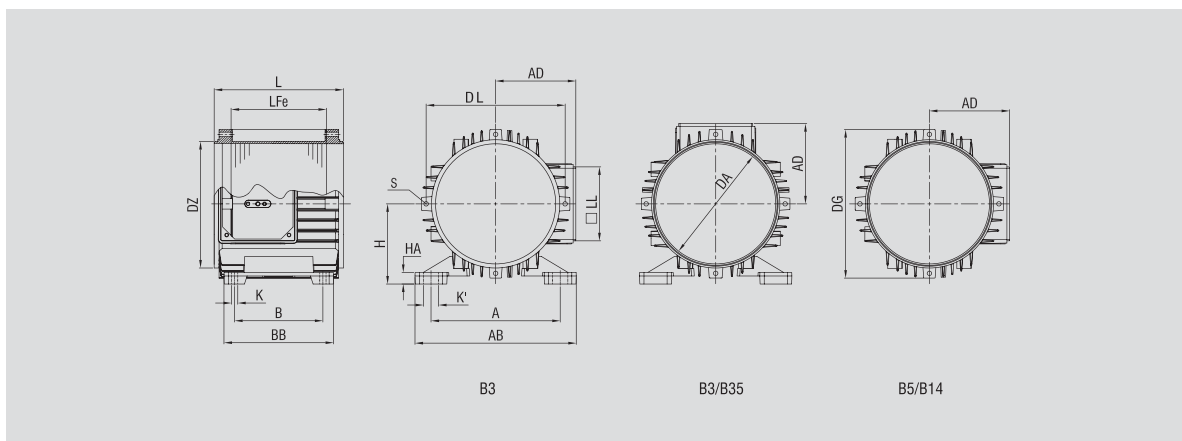
IEC Three Phase Squirrel-Cage Motors Standard Motors up to Frame Size 160

Stator Housing

Aluminium Series



| Frame Size | Stator Housing Dimensions | | | | | | | | | | | | | | | | |
|------------|---------------------------|---------|-----|-----|-----|-----|-----|-----|-----|-----|-----|-------|-----|----|-----------------|------|------|
| | H | B | A | DA | DG | DZ | DL | S | L | BB | AB | LL | AD | HA | LF _e | K | K' |
| 63 | 63 | 80 | 100 | 90 | 122 | 95 | 110 | M5 | 110 | 101 | 120 | 75x70 | 67 | 7 | 60 | 7 | 12 |
| 71 | 71 | 90 | 112 | 110 | 139 | 114 | 125 | | 124 | 112 | 136 | 83 | 76 | 8 | 65 | | 15 |
| 80 | 80 | 100 | 125 | 125 | 159 | 130 | 142 | | 138 | 125 | 150 | | 83 | 12 | 80 | 9 | 15.5 |
| 90S | 90 | | 140 | 135 | 167 | 140 | 158 | | 145 | 123 | 171 | | 90 | 13 | 100 | 10 | 18 |
| 90L | | 125 | 170 | 148 | 100 | 125 | | | | | | | | | | | |
| 100 | 100 | 140 | 160 | 152 | 190 | 161 | 176 | M6 | 225 | 175 | 194 | 85 | 100 | 13 | 160 | 12 | 21 |
| 112 | 112 | 140 | 190 | 173 | 214 | 182 | 195 | M8 | 235 | 183 | 227 | 100 | 112 | 14 | 170 | | |
| 132 | 132 | 178-210 | 216 | 210 | 253 | 218 | 235 | | 295 | 248 | 260 | 115 | 132 | 16 | 200 | 10.5 | |
| 160 | 160 | 254 | 254 | 260 | 310 | 270 | 286 | M10 | 320 | 302 | 318 | 149.5 | 164 | 23 | 220 | 12.5 | |





ELECTROGEN

IEC Three Phase Squirrel-Cage Motors Standard Motors Frame Sizes 160 to 225

Stator Housing

Cast Iron Series



| Frame Size | Stator Housing Dimensions | | | | | | | | | | | | | | | |
|------------|---------------------------|---------|-----|-----|-----|-----|-----|-----|-----|-----|-----|-----|----|-----------------|------|----|
| | H | B | A | DA | DG | DZ | DL | S | L | BB | AB | AD | HA | LF _e | K | K' |
| 160 | 160 | 254 | 254 | 260 | 310 | 270 | 286 | M10 | 320 | 302 | 318 | 164 | 23 | 220 | 12.5 | 23 |
| 180 | 180 | 239-277 | 279 | 280 | 340 | 291 | 312 | M10 | 310 | 325 | 344 | 182 | 19 | 180 | 14 | 19 |
| 200 | 200 | 305 | 318 | 310 | 374 | 323 | 347 | M12 | 350 | 352 | 377 | 199 | 27 | 190 | 26 | 18 |
| 225 | 225 | 286-311 | 357 | 350 | 422 | 364 | 388 | | 415 | 357 | 437 | 224 | 34 | 225 | 27 | 19 |

